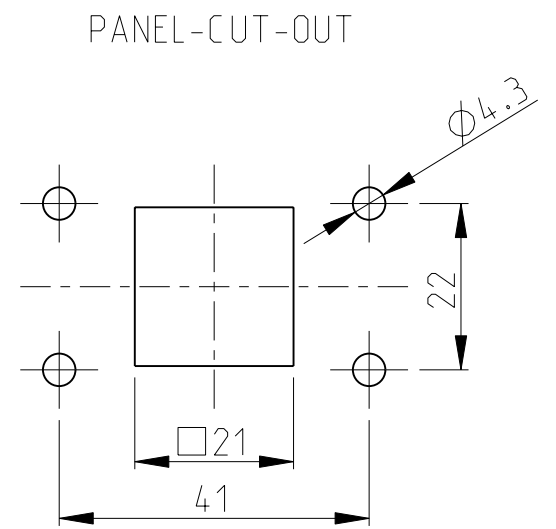
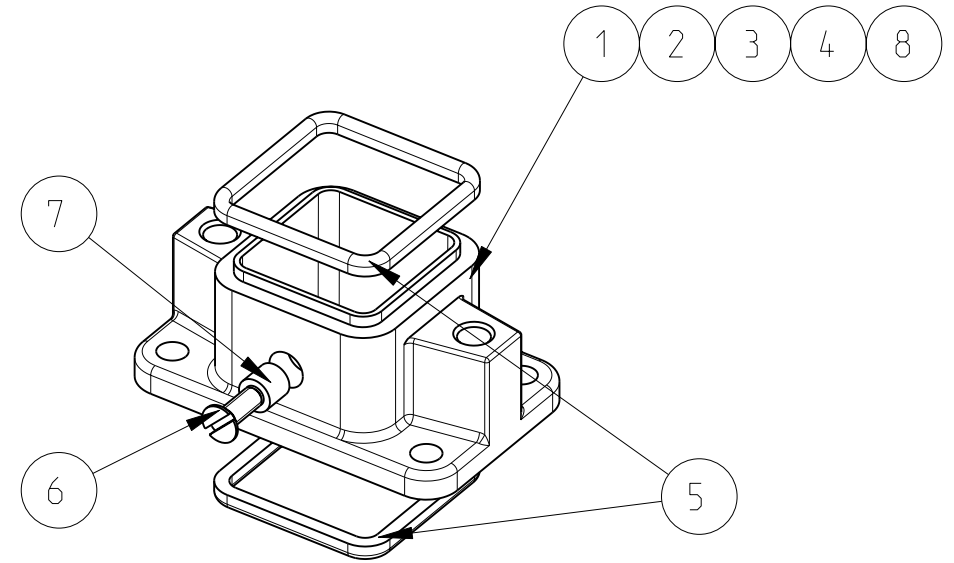
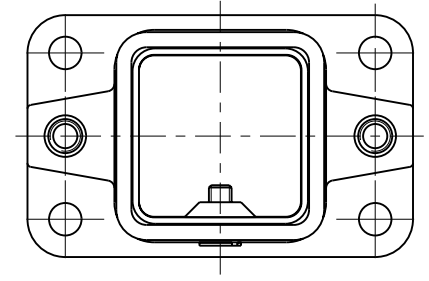
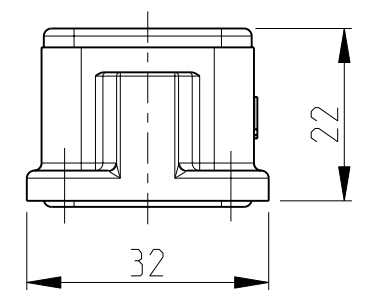
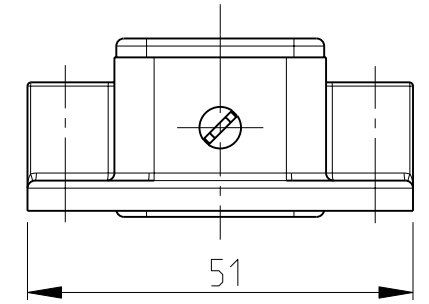


THIS DRAWING IS UNPUBLISHED. RELEASED FOR PUBLICATION 2009
 © COPYRIGHT 2009 BY TYCO ELECTRONICS CORPORATION. ALL RIGHTS RESERVED.

LOC	DIST	REVISIONS					
		P	LTR	DESCRIPTION	DATE	DWN	APVD
A1	-		A9	ECR-09-023155	22OCT2009	VG	AR
			A10	ECR-10-009777	21MAY2010	SR	AR
			A11	ECR-10-017493	31JAN2011	SR	AR



Notes

- 1 SUITABLE HOUSINGS: SERIES EMV, SIZE 1
CUSTOMER DRAWING 1106402, 1102700, 1106200
- 2 STANDARDS: DIN EN 61984, DIN EN 60664-1
- 3 SUR TEC 650 CHROMIT AL TCP PASSIVATION
- 4 PN 0-3 WITHOUT PROFILE SEAL ON CONNECTING SIDE
- 5 TOOL: SLOTTED SCREW DRIVER 4,0x0,8
- 6 VARNISH ON INSIDE AREA NOT NECESSARY
- 7 PACKAGING: 10 SETS IN A CARTON, PRE-MOUNTED

PN 0-4 OBSOLETE

QTY	PN	DESCRIPTION	MATERIAL	COLOR/SURFACE	NOTE	ITEM
1		BULKHEAD HOUSING	ALU	BLACK	WITHOUT/ LOGO	8
1	1 1 1 1 1 1	HOSE SECTION	FKM	BLACK	SERIES EMV / HIP, Ø3x1x4.5	7
1	1 1 1 1 1 1	SCREW, SLOTTED COUNTERS. FLAT HEAD	STAINL.STEEL	BLANK	M3x8 DIN EN ISO 2009	6
1	1 2 2 2 2	PROFILE SEAL	FKM	BLACK	SERIES EMV / HIP	5
	1 1 - - -	BULKHEAD HOUSING	ALU	BLACK, SEE NOTE 3	SERIES EMV	4
	- - 1 - -	BULKHEAD HOUSING	ALU	GREY	SERIES EMV	3
	- - - 1 -	BULKHEAD HOUSING	ALU	WITHOUT VARNISH	SERIES EMV	2
	- - - - 1	BULKHEAD HOUSING	ALU	SILVER, SEE NOTE 3	SERIES EMV	1
0-5	0-3 4-5 3-5 0-2 0-1					
		DESCRIPTION	MATERIAL	COLOR/SURFACE	NOTE	ITEM

PART NO.	ORDERING TEXT
0-1102703-3	EMV-K.3/4.AG-S0
4-1102703-5	EMV-K.3/4.AG
3-1102703-5	EMV.3/4.AG
0-1102703-2	EMV.3/4.AG
0-1102703-1	EMV-K.3/4.AG

THIS DRAWING IS A CONTROLLED DOCUMENT FOR TYCO ELECTRONICS CORPORATION IT IS SUBJECT TO CHANGE AND THE CONTROLLING ENGINEERING ORGANIZATION SHOULD BE CONTACTED FOR THE LATEST REVISION.

DWN	V.GLUMM	18AUG2009	Tyco Electronics AMP GmbH 64625 Bensheim (Germany)
CHK	H.Braun	18AUG2009	
APVD	T.Schnurpfeil	18AUG2009	
PRODUCT SPEC			
APPLICATION SPEC			NAME BULKHEAD HOUSING ASS'Y, BOTTOM ENTRY SERIES EMV, SIZE 1
WEIGHT			SIZE A3
CUSTOMER DRAWING			CAGE CODE 00779
			DRAWING NO 1102703
			RESTRICTED TO -
			SCALE 1:1
			SHEET 1 OF 1
			REV A11